

Client Name: Shellstar Homes
 Address: 195 Charles Lane
 Ph (C):
 Email:

LKL Designer: Zeina Agha
 Room Kitchen

Edge Banding: PVC
 Drawer Box: black Vionaro Full extension, Soft close

Door Style - Slab Door
 Cabinet Interior: White Melamine

Color : Matt Black (Custom Color)
 Stained Oak Veneer

Hardware: Edge Handle
 Berenson 112 MM Brass Finish on Black
 Berenson 112 MM Matt Black Finish on Oak

Frames: Standard
 - Glass Colour: Clear

Crown: Flush Starter With Cleat
 Furniture Kick: YES

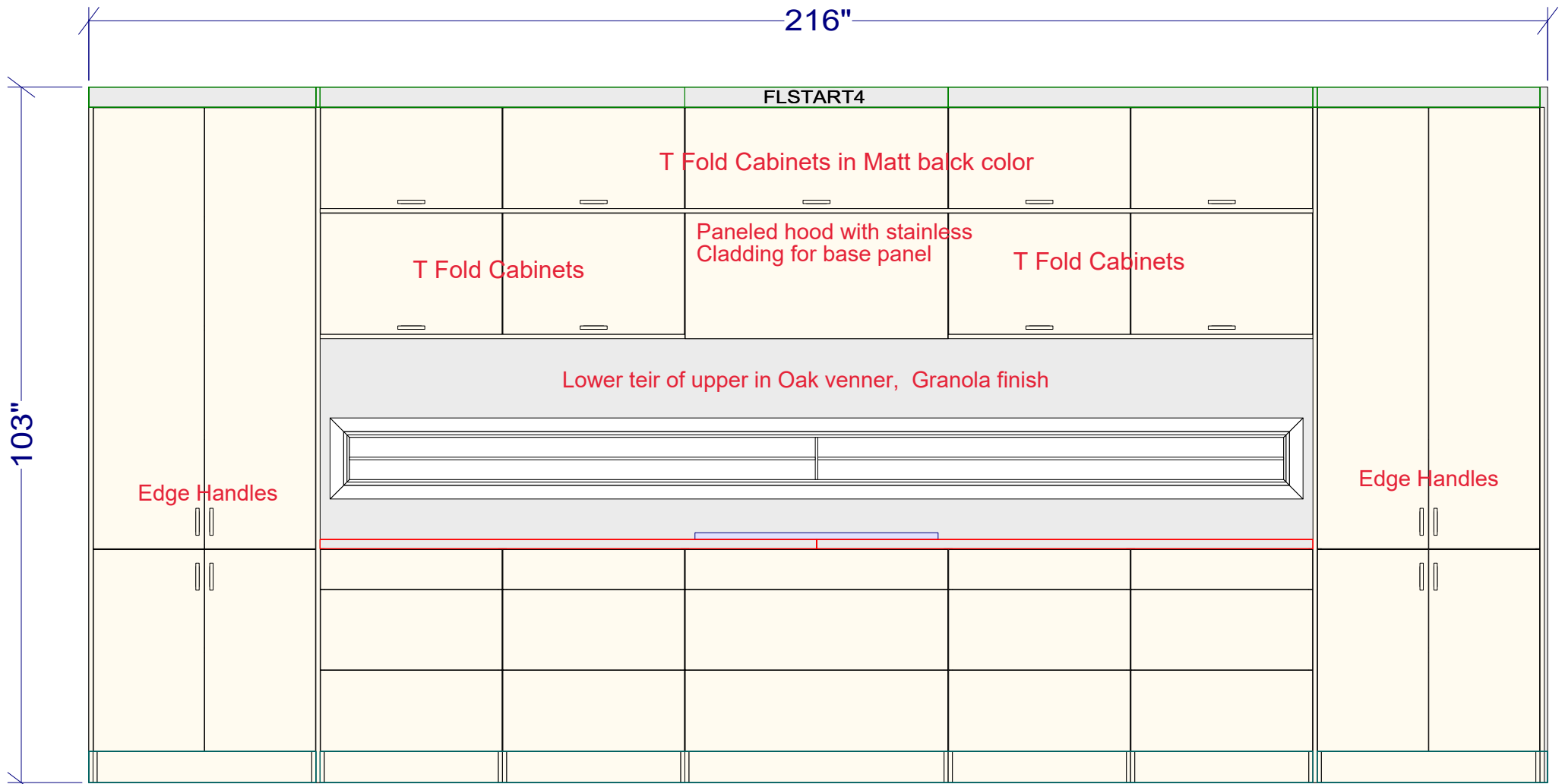
Countertop: By Shellstar
 :

All dimensions _size designations given are subject to verification on job site and adjustment to fit job conditions.



This is an original design and must not be released or copied unless applicable fee has been paid or job order placed.

Designed: 12/8/2021
 Printed: 1/31/2022



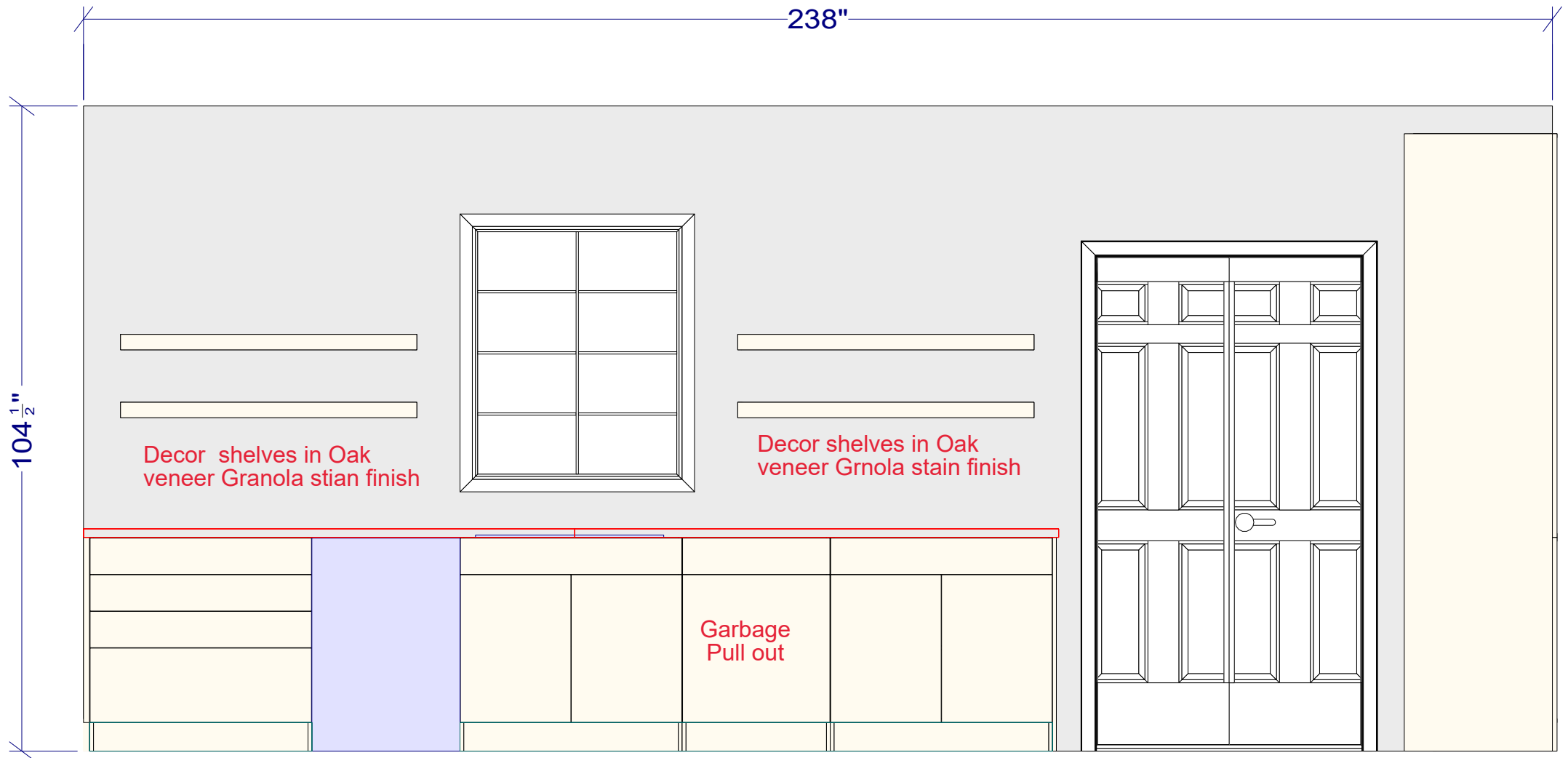
Window Elevation

All dimensions _size designations given are subject to verification on job site and adjustment to fit job conditions.



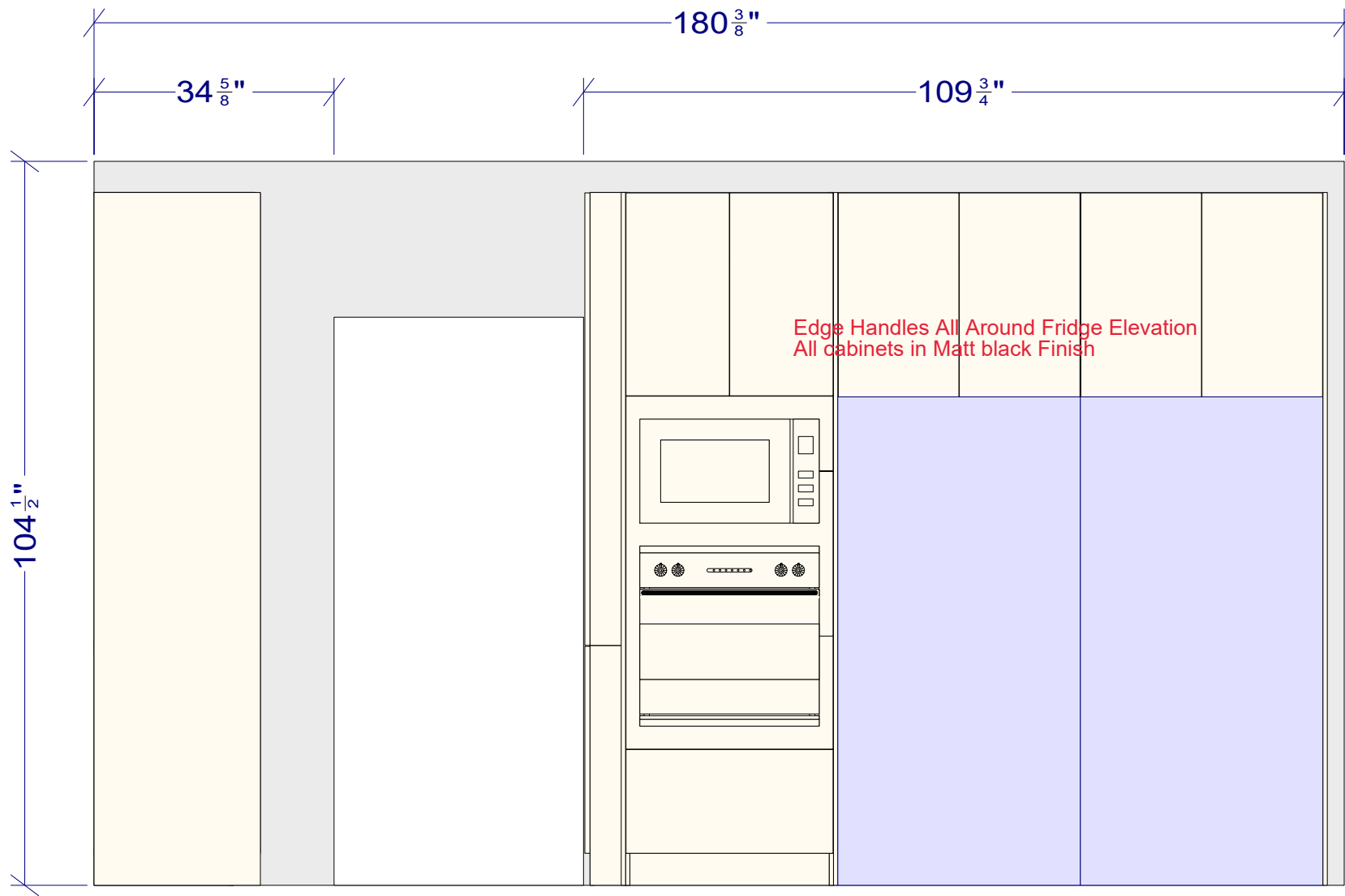
This is an original design and must not be released or copied unless applicable fee has been paid or job order placed.

Designed: 12/8/2021
Printed: 1/12/2022



Window Elevation

<p>All dimensions _size designations given are subject to verification on job site and adjustment to fit job conditions.</p>		<p>This is an original design and must not be released or copied unless applicable fee has been paid or job order placed.</p>	<p>Designed: 12/8/2021 Printed: 1/27/2022</p>
--	---	---	---



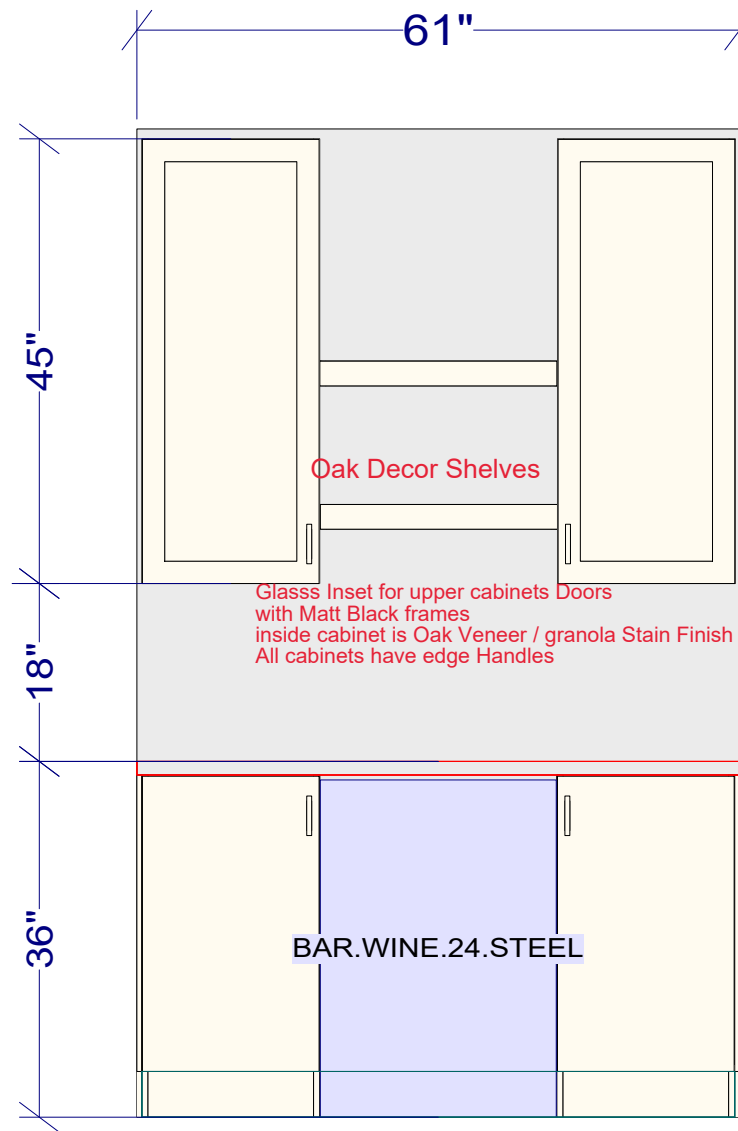
Fridge Elevation

All dimensions _size designations given are subject to verification on job site and adjustment to fit job conditions.




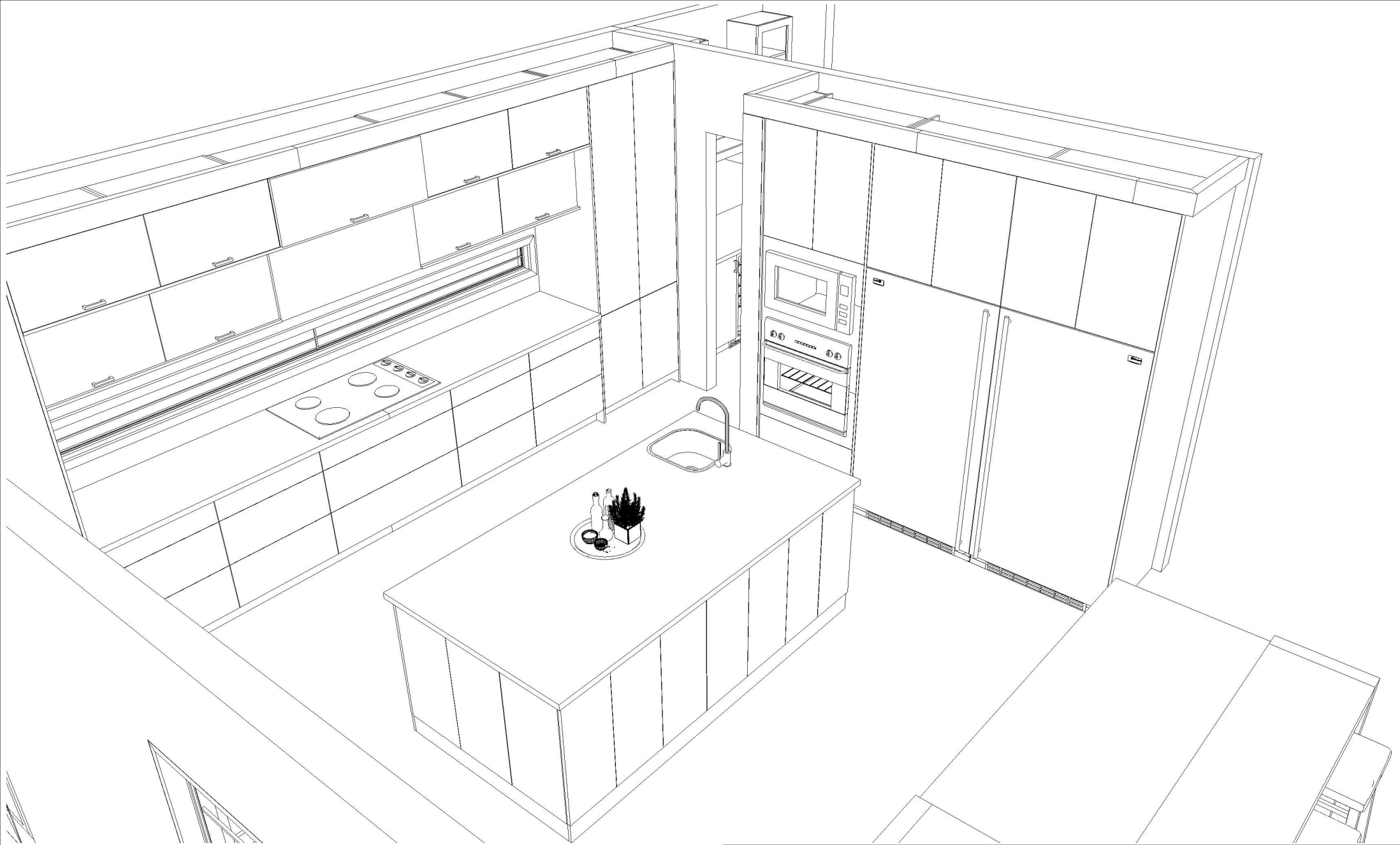
This is an original design and must not be released or copied unless applicable fee has been paid or job order placed.

Designed: 12/8/2021
Printed: 1/31/2022



Butler Pantry Elevation

<p>All dimensions _size designations given are subject to verification on job site and adjustment to fit job conditions.</p>	 <p>LAURYSSEN KITCHENS KITCHENS VANITIES CLOSETS</p>	<p>This is an original design and must not be released or copied unless applicable fee has been paid or job order placed.</p>	<p>Designed: 12/8/2021 Printed: 1/12/2022</p>
<p>Design2</p>		<p>EI 2</p>	<p>Drawing #: 1 No Scale.</p>



Note: This drawing is an artistic interpretation of the general appearance of the design. It is not meant to be an exact rendition.



Designed: 12/8/2021
Printed: 1/27/2022



Island with Side Panels to the floor
Base open cabinets with shelves to the back and to the side
of the island
2 Tones Island Design

Note: This drawing is an artistic interpretation of the general appearance of the design. It is not meant to be an exact rendition.



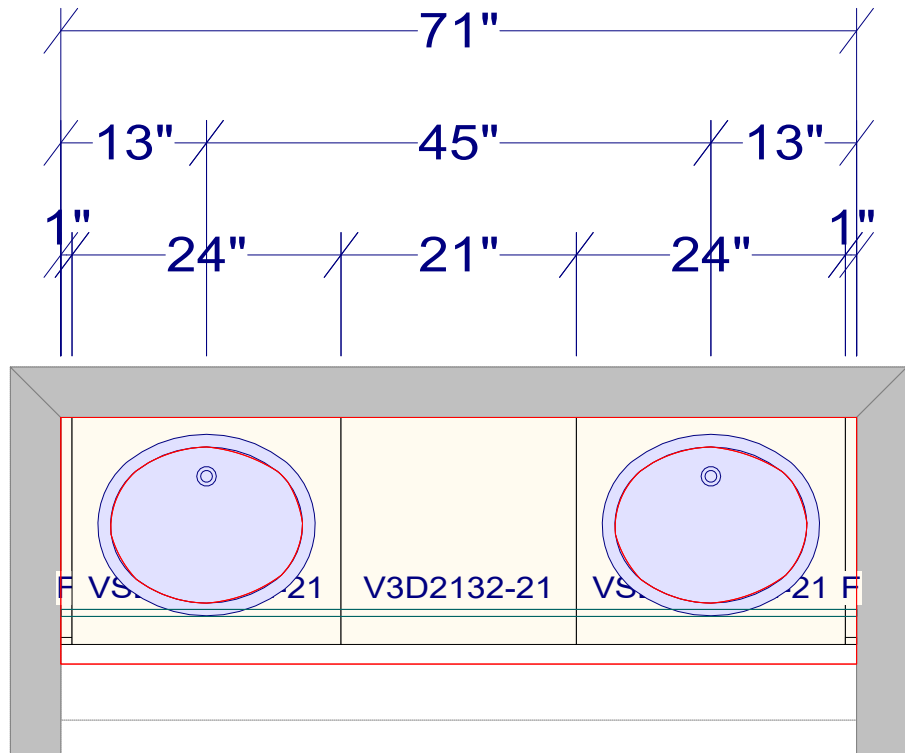
Designed: 12/8/2021
Printed: 1/27/2022



Note: This drawing is an artistic interpretation of the general appearance of the design. It is not meant to be an exact rendition.

LAURYSSEN
KITCHENS
KITCHENS | VANITIES | CLOSETS

Designed: 12/8/2021
Printed: 1/27/2022



Ensuite

Edge Pull Handles
Very minimal

Client Name: Shellstar Homes
Address: 195 Charlies Lane
Ph (C):
Email:

LKL Designer: Zeina Agha
Room ; Ensuite

Edge Banding: PVC matching Door
Drawer Box: Nova Grey Metallic - Softclose

Door Style: Frati
Color: Tex grey
Cabinet Interior: White Melamine

Door Hardware: Berenson 112MM Matt BlackFinsih

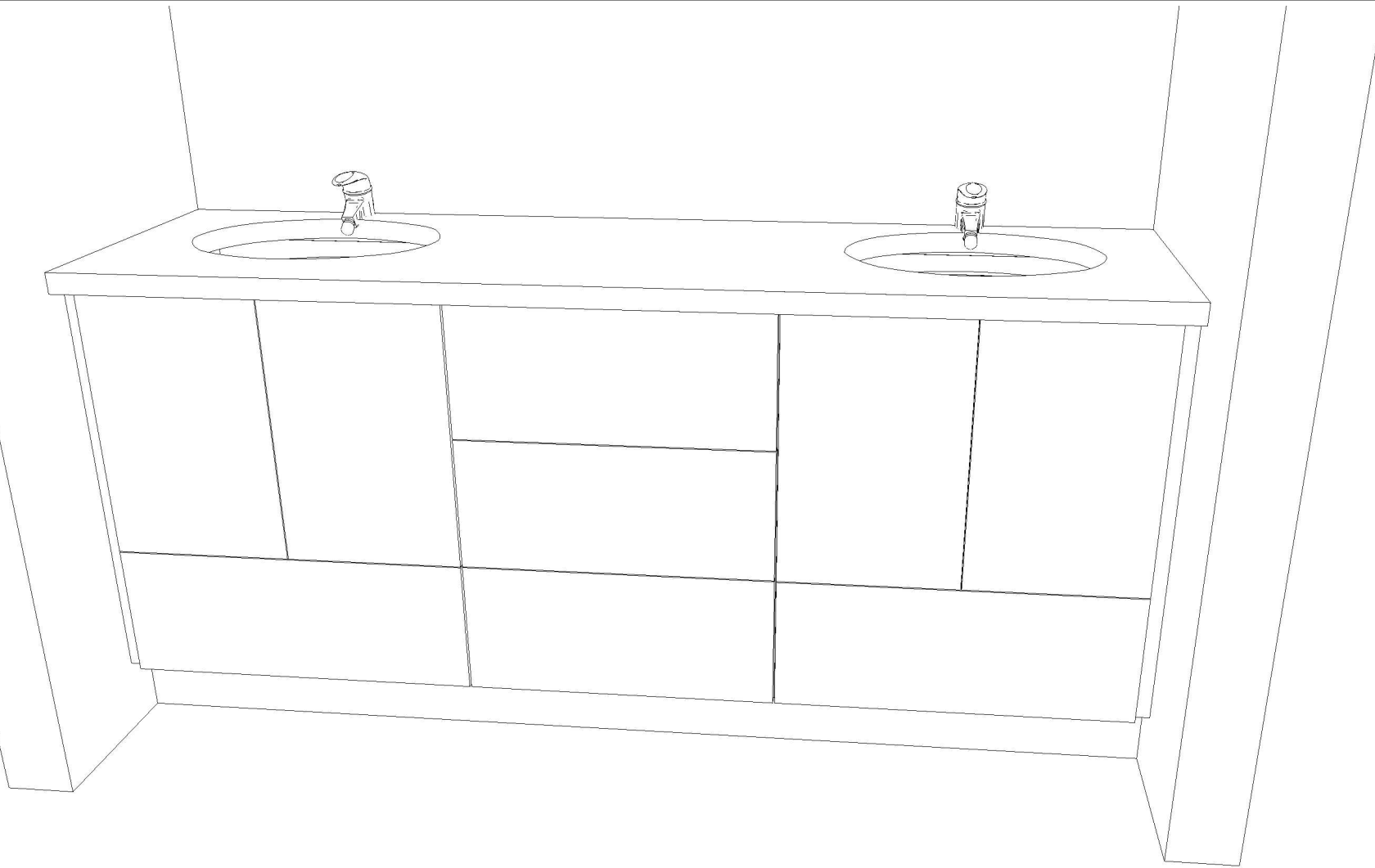
Countertop: By Shellsatr

All dimensions _size designations given are subject to verification on job site and adjustment to fit job conditions.



This is an original design and must not be released or copied unless applicable fee has been paid or job order placed.

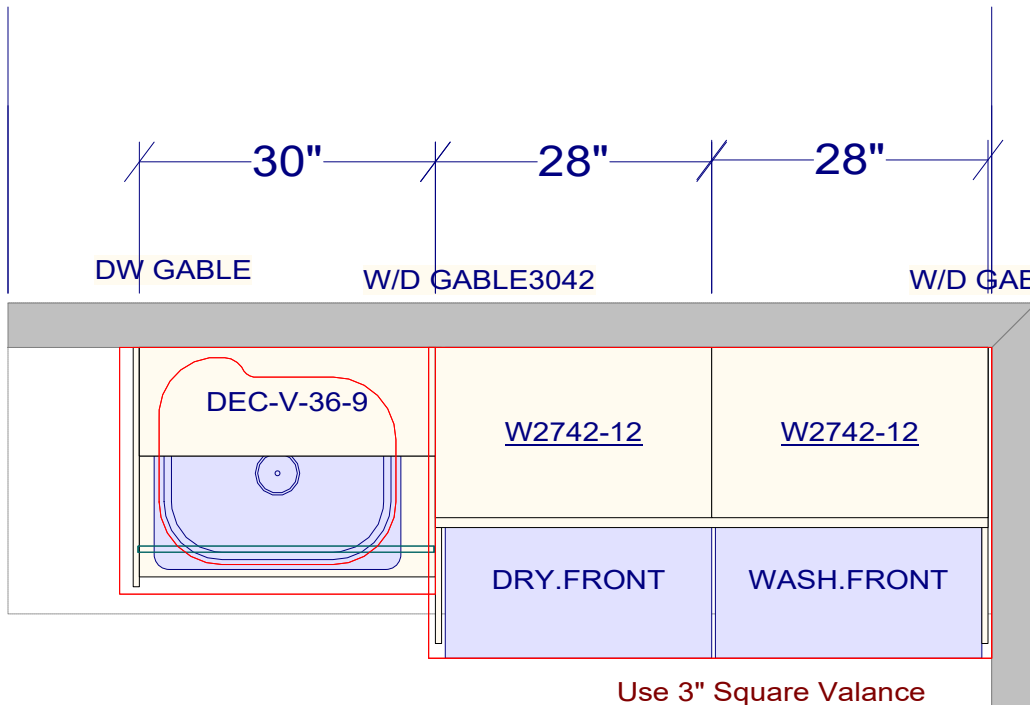
Designed: 10/20/2021
Printed: 1/12/2022



Note: This drawing is an artistic interpretation of the general appearance of the design. It is not meant to be an exact rendition.



Designed: 10/20/2021
Printed: 1/12/2022



Use 3" Square Valance to brace gables

Laundry Plan

Client Name: Shellstar Homes
 Address: 195 Charlies Lane
 Ph (C):
 Email:

LKL Designer: Zeina Agha
 Room ; Laundry

Edge Banding: PVC
 Drawer Box: Nova Grey Metallic - Softclose

Door Style: Mista (MDF)
 Color: Grey Owl
 Cabinet Interior: White Melamine

Door Hardware: Berenson 112MM Brushed Nickel Finsih

Decor Shelves : Oak Granola Stain

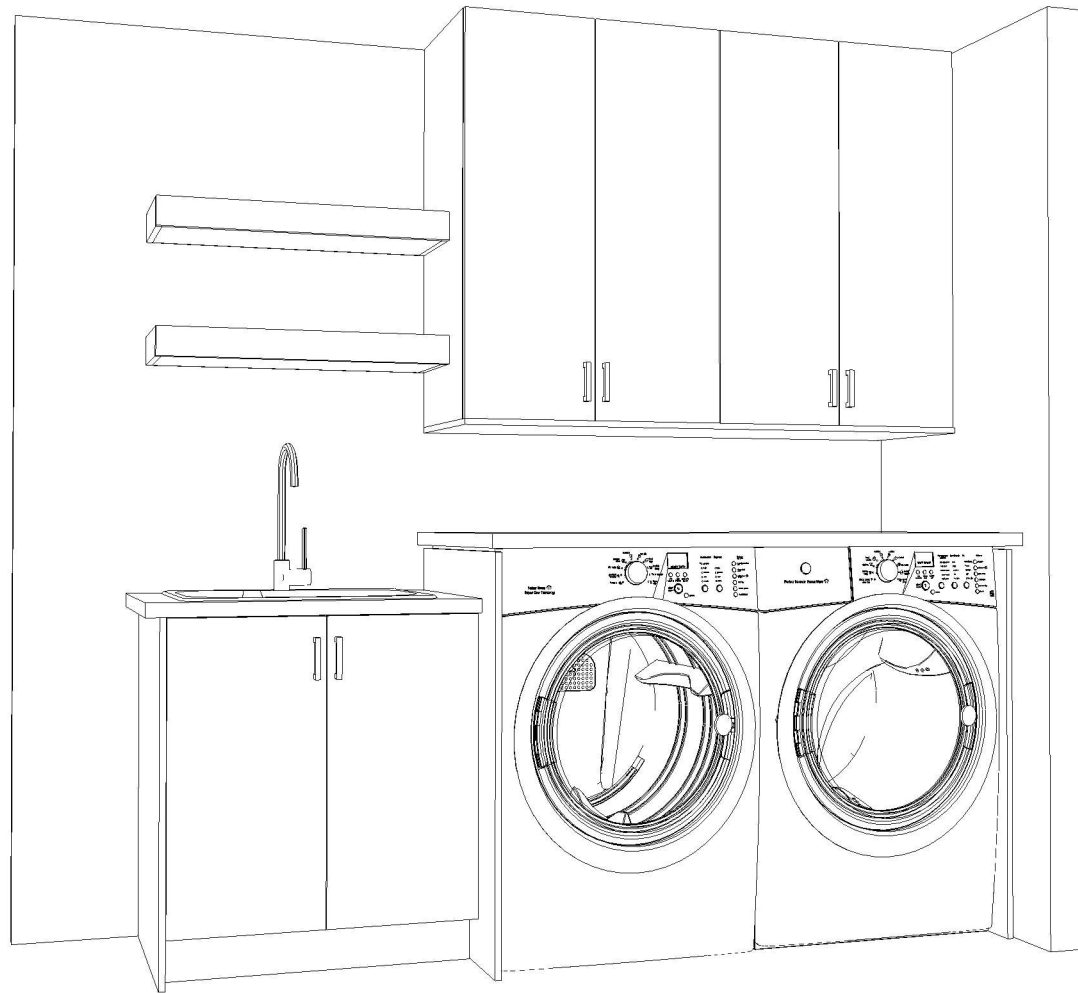
Countertop: Laminate 44279-CMT
 Edge : Innovation
 Backsplash: NO

All dimensions _size designations given are subject to verification on job site and adjustment to fit job conditions.



This is an original design and must not be released or copied unless applicable fee has been paid or job order placed.

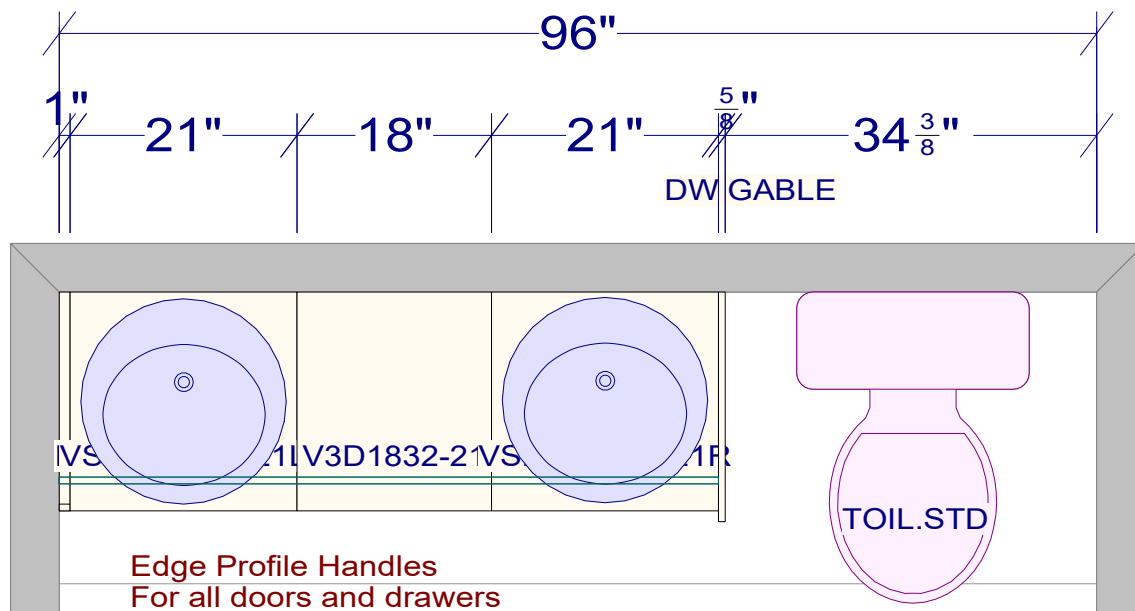
Designed: 10/20/2021
 Printed: 1/12/2022



Note: This drawing is an artistic interpretation of the general appearance of the design. It is not meant to be an exact rendition.

LAURYSSEN
KITCHENS
KITCHENS | VANITIES | CLOSETS

Designed: 10/20/2021
Printed: 1/12/2022



Main Bath Room

Client Name: Shellstar Homes
 Address: 195 Charles Lane
 Ph (C):
 Email:

LKL Designer: Zeina Agha
 Room: Main Bath

Edge Banding: PVC Matching Door Color
 Drawer Box: Nova Grey Metallic - Softclose

Door Style: plateau
 Color: Skye
 Cabinet Interior: White Melamine

Door Hardware: Berenson Edge Pull
 112MM Brushed Nickel Finsih

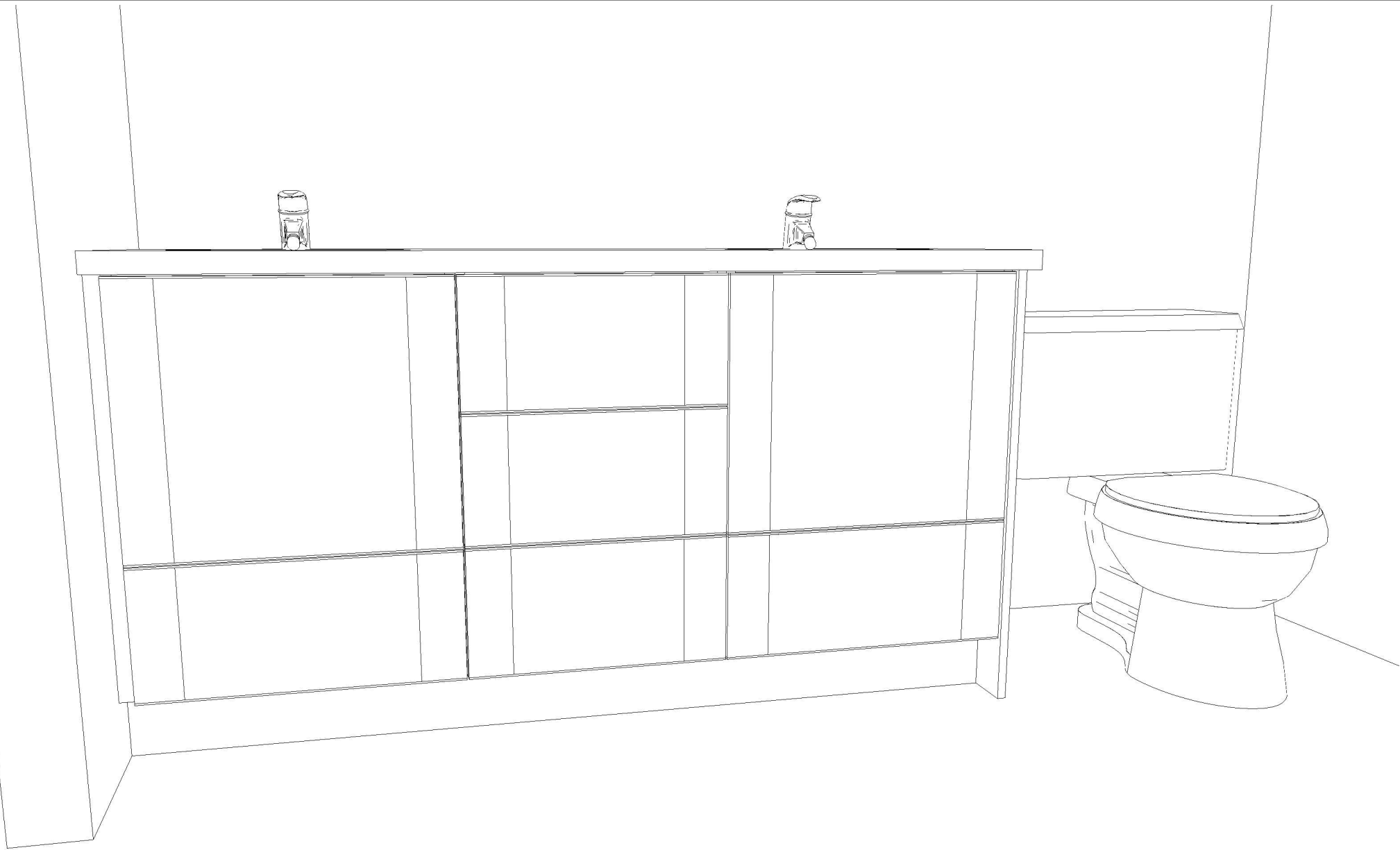
Countertop: by Shellsatr

All dimensions _size designations given are subject to verification on job site and adjustment to fit job conditions.



This is an original design and must not be released or copied unless applicable fee has been paid or job order placed.

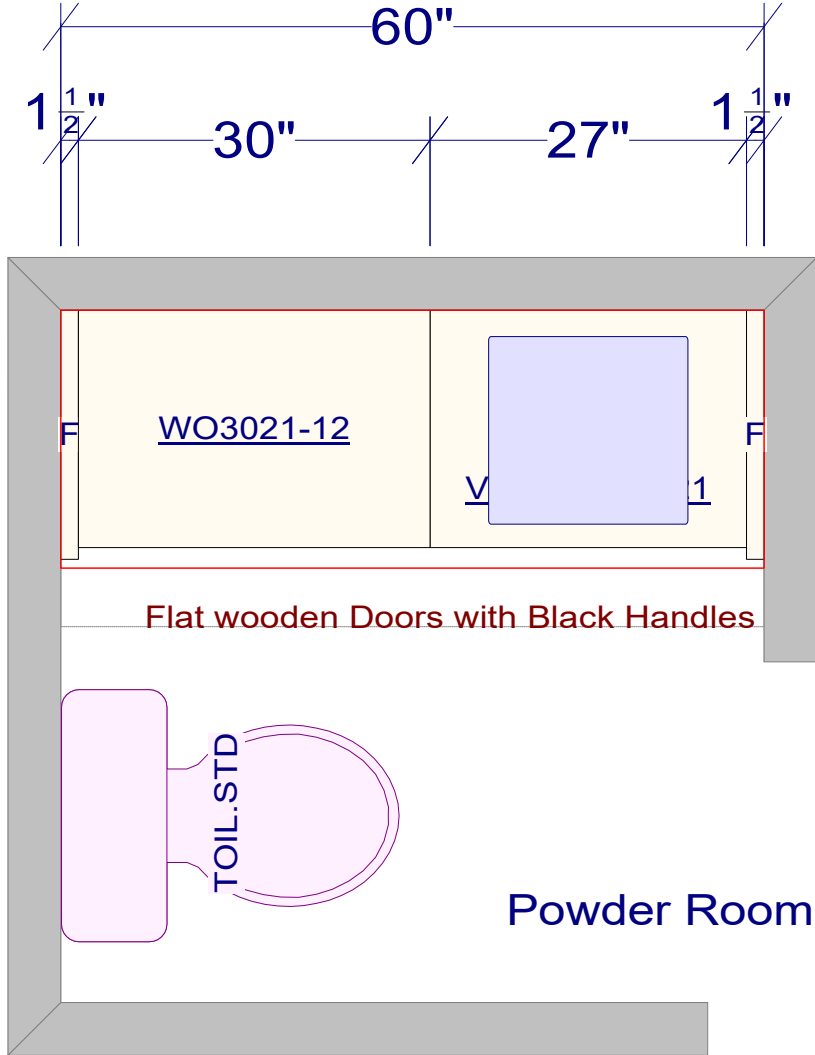
Designed: 10/20/2021
 Printed: 1/12/2022



Note: This drawing is an artistic interpretation of the general appearance of the design. It is not meant to be an exact rendition.



Designed: 10/20/2021
Printed: 1/12/2022



Client Name: Shellstar Homes
 Address: 195 Charlies Lane
 Ph (C):
 Email:

LKL Designer: Zeina Agha
 Room: Powder

Edge Banding: PVC Matching Door color
 Drawer Box: Nova Grey Metallic - Softclose

Door Style: Frati
 Color: Blonde Oak
 Cabinet Interior: White Melamine

Door Hardware: Berenson Edge Pull
 112MM Matt black Finsih

Countertop: By Shellstar

All dimensions _size designations given are subject to verification on job site and adjustment to fit job conditions.



This is an original design and must not be released or copied unless applicable fee has been paid or job order placed.

Designed: 10/20/2021
 Printed: 1/12/2022



Note: This drawing is an artistic interpretation of the general appearance of the design. It is not meant to be an exact rendition.



Designed: 10/20/2021
Printed: 1/12/2022